



**WE BUILD RIDERS'
CONFIDENCE.**

WWW.RACINGBOY.COM.MY

S2 SERIES BRAKE CALIPER (203)

A GLOBAL BRAND OF **TKA**

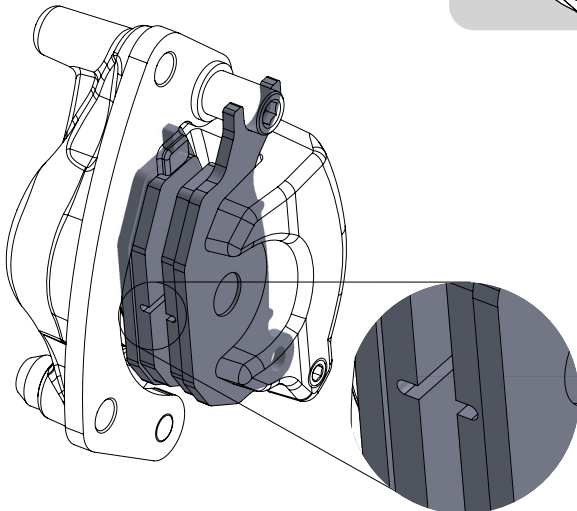
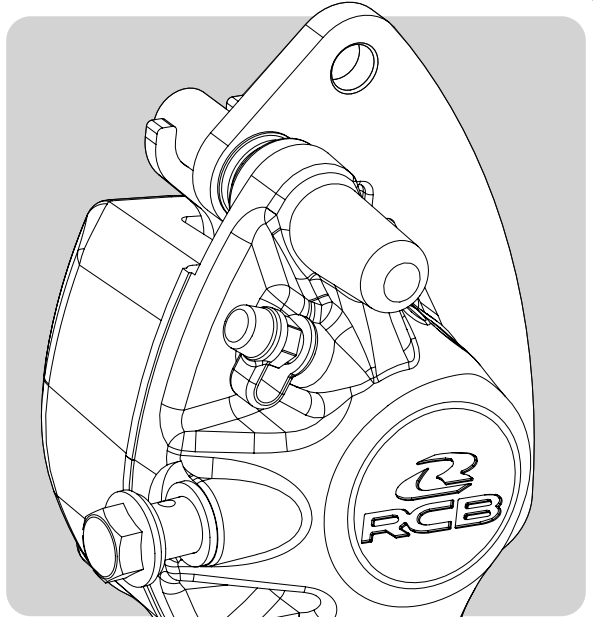
AWARDS:



INSTRUCTIONS MANUAL

INFORMATION TO USERS :

1. After changing the brake caliper, please check the air bleed to get desired brake pressure.
2. Place brake oil into the reservoir.
3. Also don't forget to check the brake hose fitting, to ensure it is placed in the correct position. if it doesn't, it causes brake oil leaking.



ATTENTION TO USERS :

1. Groove at the brake pad indicates limit use.
2. After a few months, make sure brake pad groove at brake pads still visible for good grip.
3. If the groove not visible, please change a new brake pad.



DISTRIBUTED BY:



MENG KAH AUTO PARTS TRADING SDN. BHD.

40, JALAN TPP5, TAMAN PERINDUSTRIAN PUTRA,
47130 PUCHONG, SELANGOR, MALAYSIA.

TEL: +603 5033 5833

FAX: +603 2773 9011

EMAIL: INFO@MENGAH.COM

WEB: WWW.RACINGBOY.COM.MY