



**WE BUILD RIDERS'  
CONFIDENCE.**

[WWW.RACINGBOY.COM.MY](http://WWW.RACINGBOY.COM.MY)

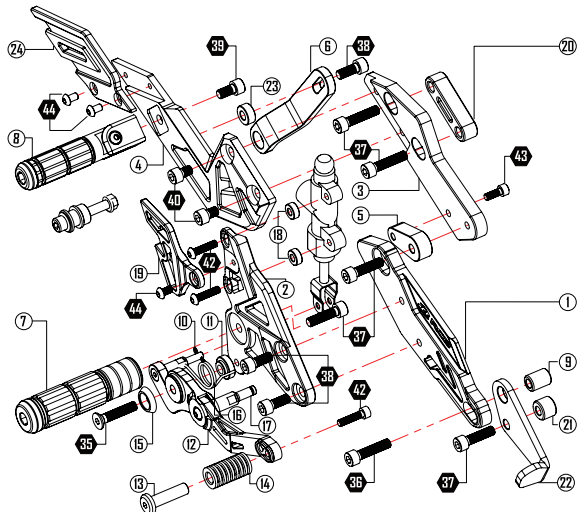
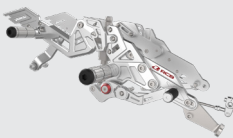
# **SUZUKI BELANG FULLSET FOOTREST**

**A GLOBAL BRAND OF **

AWARDS:

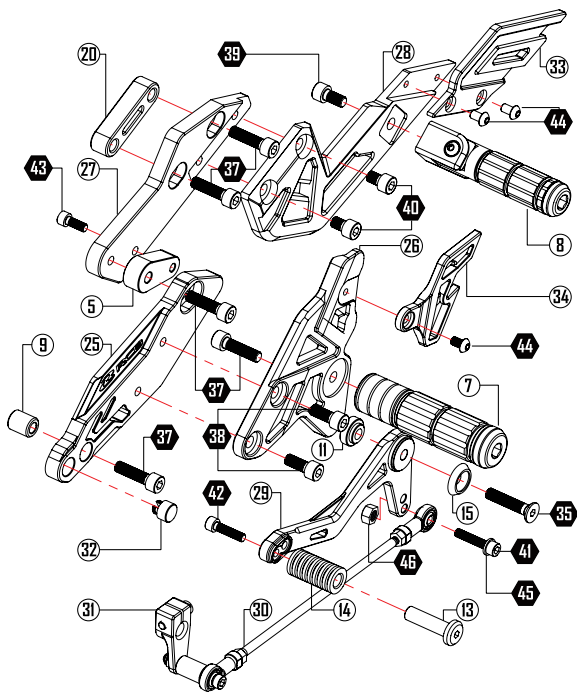


# SUZUKI BELANG FULLSET FOOTREST



**BELANG 150 FULLSET FOOREST - RIGHT**

1	Bracket_1	13	Shaft_Pedal
2	Bracket_3	14	Rubber_Pedal
3	Bracket_5	15	Housing_Pedal
4	Bracket_7	16	Return_Spring
5	Adaptor	17	Shaft_Brake_Lamp
6	Exhaust_Bracket	18	Master_Pump_Bush
7	Footpeg	19	Protector Right
8	Rear_Step	20	Adaptor
9	Swing_Arm_Bush	21	Bush_1
10	Split_Pin	22	Kick Starter Stopper
11	Collar_Pedal	23	Bush Exhaust
12	Brake_Pedal_Folding	24	Rear Protector Right



**BELANG 150 FULLSET FOOREST - LEFT**

25	Bracket_2	25	M8 x 30 = 10_pcs
26	Bracket_4	26	M8 x 20 = 5_pcs
27	Bracket_6	27	M8 x 16 = 2_pcs
28	Bracket_8	28	M8 x 12 = 4_pcs
29	Shift_Pedal	29	M6 x 30 = 1_pcs
30	Shift_Shaft_Component	30	M6 x 25 = 4_pcs
31	Lever_Shift	31	M6 x 16 = 2_pcs
32	Hole_Plaque	32	M6 x 10 = 6_pcs
33	Rear Protector Left	33	Washer M6 = 1_pcs
34	Protector Left	34	Nuts M6 = 1_pcs
35	M8 x 40 = 2_pcs		
36	M8 x 35 = 1_pcs		



**DISTRIBUTED BY:**



**MENG KAH AUTO PARTS TRADING SDN. BHD.**

40, JALAN TPP5, TAMAN PERINDUSTRIAN PUTRA,  
47130 PUCHONG, SELANGOR, MALAYSIA.

TEL: +603 5033 5833

FAX: +603 2773 9011

EMAIL: [INFO@MENGAH.COM](mailto:INFO@MENGAH.COM)

WEB: [WWW.RACINGBOY.COM.MY](http://WWW.RACINGBOY.COM.MY)