



**WE BUILD RIDERS'
CONFIDENCE.**

WWW.RACINGBOY.COM.MY

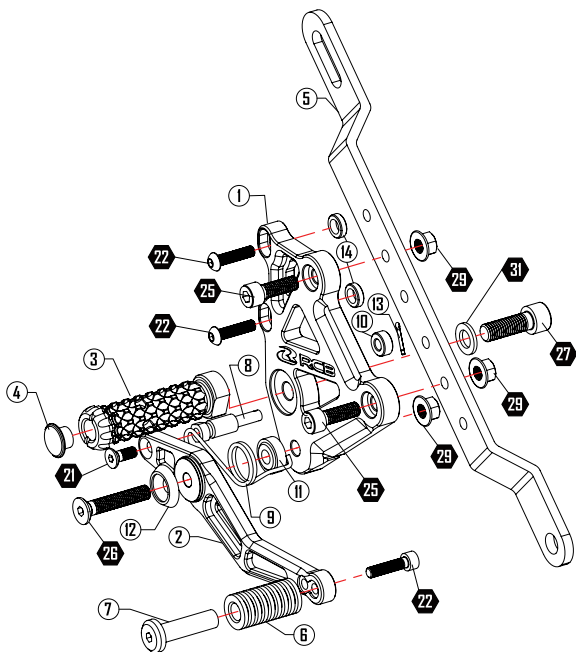
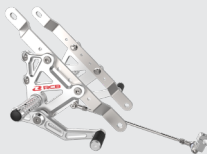
**HONDA
RS150R / SONIC
RACING FOOTREST**

A GLOBAL BRAND OF **TKA**

AWARDS:

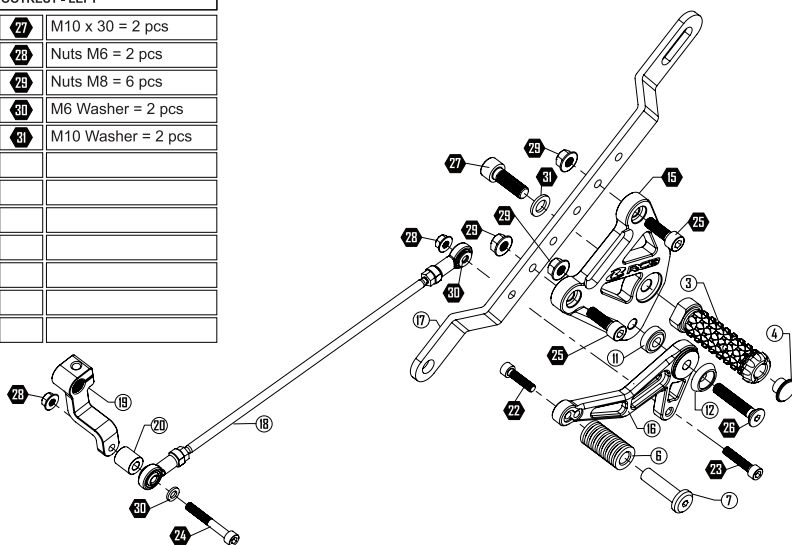


HONDA RS150R / SONIC RACING FOOTREST



RS150R RACING FOOTREST - RIGHT			
1	Bracket 1	13	Split Pin
2	Brake Pedal	14	Master Pump Bush
3	Footpeg		
4	End Nylon Slider		
5	Plate Bar 1		
6	Rubber Pedal		
7	Shaft Pedal		
8	Rear Brake Shaft		
9	Return Spring Brake		
10	Bush 1		
11	Collar Bush		
12	Housing Pedal		

RS150R RACING FOOTREST - LEFT			
15	Bracket 2	27	M10 x 30 = 2 pcs
16	Shift Pedal	28	Nuts M6 = 2 pcs
17	Plate Bar 2	29	Nuts M8 = 6 pcs
18	Shift Shaft Component	30	M6 Washer = 2 pcs
19	Lever Shift	31	M10 Washer = 2 pcs
20	Bush 2		
21	M6 x 16 = 1 pcs		
22	M6 x 25 = 4 pcs		
23	M6 x 30 = 1 pcs		
24	M6 x 45 = 1 pcs		
25	M8 x 25 = 4 pcs		
26	M8 x 45 = 2 pcs		





DISTRIBUTED BY:



MENG KAH AUTO PARTS TRADING SDN. BHD.

40, JALAN TPP5, TAMAN PERINDUSTRIAN PUTRA,
47130 PUCHONG, SELANGOR, MALAYSIA.

TEL: +603 5033 5833

FAX: +603 2773 9011

EMAIL: INFO@MENGAH.COM

WEB: WWW.RACINGBOY.COM.MY