



**WE BUILD RIDERS'  
CONFIDENCE.**

[WWW.RACINGBOY.COM.MY](http://WWW.RACINGBOY.COM.MY)

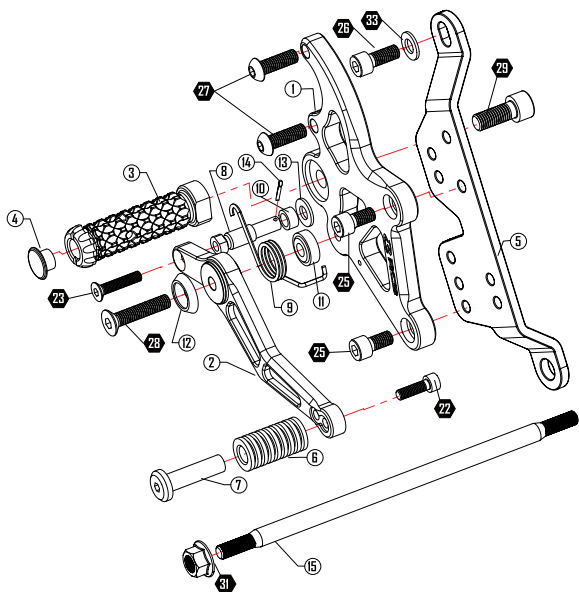
# **YAMAHA Y15ZR RACING FOOTREST**

A GLOBAL BRAND OF **TKA**

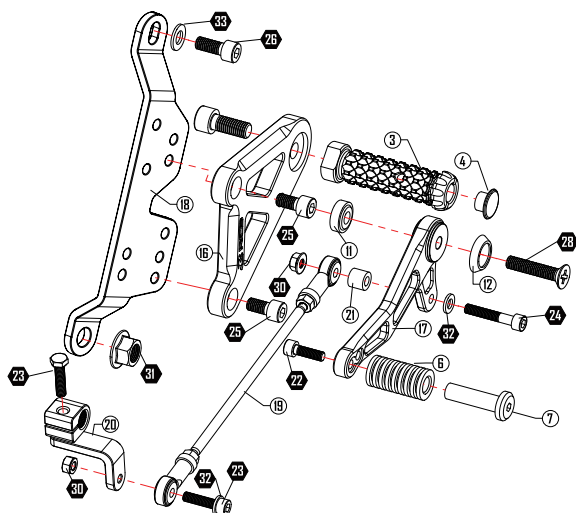
AWARDS:



# YAMAHA Y15ZR RACING FOOTREST



Y15ZR FOOTREST (Right)			
1	Bracket 1	13	Washer
2	Brake Pedal	14	Split Pin
3	Footpeg	15	Swing Arm Shaft 303mm
4	End Nylon Slider		
5	Plate Bar 1		
6	Rubber Pedal		
7	Shaft Pedal		
8	Rear Brake Shaft		
9	Return Spring Brake		
10	Bush 1		
11	Collar Bush		
12	Housing Pedal		



Y15ZR FOOTREST (Left)			
16	Bracket 2	28	M8 x 40 = 2 pcs
17	Shift Pedal	29	M10 x 25 = 2 pcs
18	Plate Bar 2	30	Nuts M6 = 2 pcs
19	Shift Shaft Component	31	Nuts M12 = 2 pcs
20	Lever Shift	32	M6 Washer = 2 pcs
21	Bush 2	33	M8 Washer = 2 pcs
22	M6 x 20 = 2 pcs		
23	M6 x 25 = 3 pcs		
24	M6 x 35 = 1 pcs		
25	M8 x 16 = 4 pcs		
26	M8 x 20 = 2 pcs		
27	M8 x 25 = 2 pcs		



**DISTRIBUTED BY:**



**MENG KAH AUTO PARTS TRADING SDN. BHD.**

40, JALAN TPP5, TAMAN PERINDUSTRIAN PUTRA,  
47130 PUCHONG, SELANGOR, MALAYSIA.

TEL: +603 5033 5833

FAX: +603 2773 9011

EMAIL: [INFO@MENGAH.COM](mailto:INFO@MENGAH.COM)

WEB: [WWW.RACINGBOY.COM.MY](http://WWW.RACINGBOY.COM.MY)